

AT-21013

AT-21023

AT-23241

8-ch Analog Input with Modbus TCP- (Current)

8-ch Analog Input with Modbus TCP- (Voltage)

4 Analog Output - 4 Digital Input with- Modbus TCP



AT-21013 (Current)

AT-21023 (Voltage)



AT-23241 (Current + Voltage)

Specifications

General

Power Consumption	IDLE: 1.2 W@24V, FULL LOAD: 7.9 W@24V
Supported Protocols	MODBUS TCP
Operating Voltage	9 – 36 VDC
Watchdog Timer	System (2 second)&Communication
Configuration Tool	Web server & Ethernet Utility

Analog Input

Channels	8
Input Type	Voltage/Current
Input Range	0-5V/0-10V/0-20mA/4-20mA
Resolution	12 Bit

Specification

General

Power Consumption	IDLE: 1.2 W@24V, FULL LOAD: 7.9 W@24V
Supported Protocols	MODBUS TCP
Operating Voltage	9 – 36 VDC
Watchdog Timer	System (2 second)&Communication
Configuration Tool	Web server & Ethernet Utility

Analog Output

Channel	4
Output Type	Voltage/Current
Output Range	0-5V/0-10V/0-20mA/4-20mA
Resolution	12 Bit

Digital Input

Channel	4
Isolation Voltage	5000Vrms
Logic Level 1	Min. 6v
Logic Level 0	Max. 5v
Type of Inputs	Sinking
Grouping	4 + Common separate for each DI
Max Input current	10 mA per input

Common Specifications

General

- **Indicator** Power ON, I/O Status, Communication LED's
- **Reset Function** Yes
- **Mounting** Din Rail
- **Material** Mild steel (MS) with powder coating

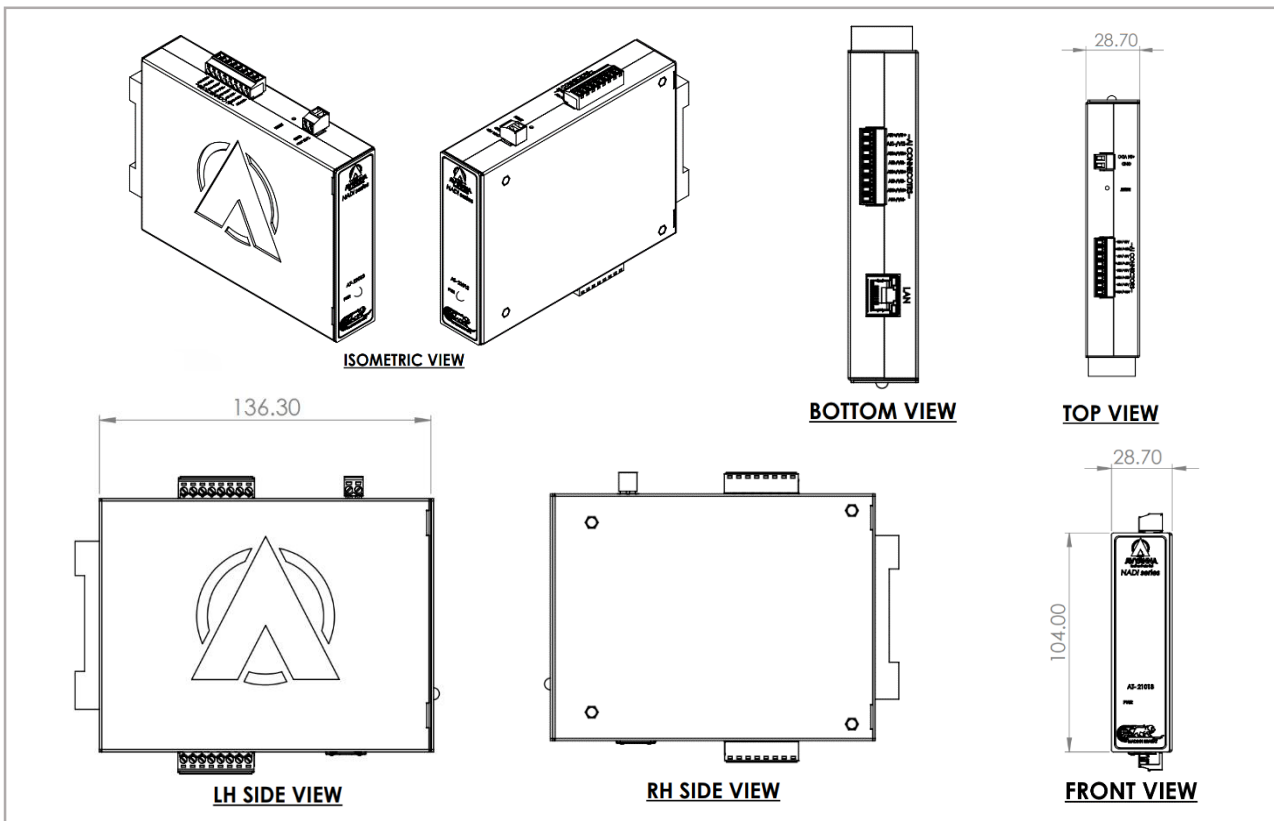
Environment

- **Operating Temperature** 0°C - 60°C
- **Storage Temperature** 0°C - 70°C
- **Operating Humidity** 20-95% RH
- **Certifications** ROHS

Ethernet Interface

- **Network Protocols** MODBUS TCP, TCP/IP, HTTP, DHCP, DNS, UDP, ARP
- **Number of Ports** 1
- **Interface** RJ-45 Female
- **Full Duplex Mode** Support IEEE 802.3x flow control
- **Half Duplex Mode** Support CSMA/CD Protocol
- **Ethernet Port Specification** RJ-45, 10/100 Mbit/s

Dimensions & Drawing



Order Information

Part No.	Description
AT-21013 (Current)	8-ch Analog Input with Modbus TCP
AT-21023 (Voltage)	8-ch Analog Input with Modbus TCP
AT-23241 (Current + Voltage)	4 Analog Output - 4 Digital Input with Modbus TCP