

# AT-23433

# AT-24033

# AT-23005

8 Digital Input-8 Digital Relay Output Module with Modbus TCP

8 Digital Relay Output Module with Modbus TCP

16 Digital Input Module with Modbus TCP



AT-23433

## Specifications

### General

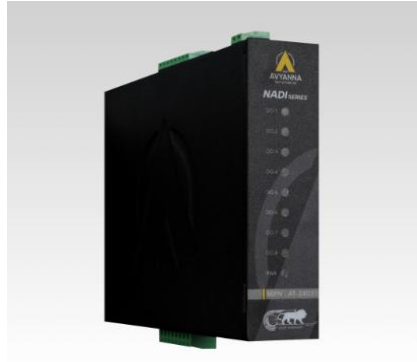
<b>Power Consumption</b>	IDLE: 1.2 W@24V, FULL LOAD: 7.9 W@24V
<b>Supported Protocols</b>	MODBUS TCP
<b>Operating Voltage</b>	9 – 36 VDC
<b>Watchdog Timer</b>	System (2 second) & Communication
<b>Configuration Tool</b>	Web server & Ethernet Utility

### Digital Inputs

<b>Channels</b>	8
<b>Isolation voltage</b>	5000Vrms
<b>Logic Level 1</b>	Min. 6v
<b>Logic Level 0</b>	Max. 5v
<b>Type of Inputs</b>	Sinking
<b>Grouping</b>	8 + Common separate for each DI
<b>Max Input current</b>	10 mA per input

### Digital Outputs

<b>Channels</b>	8 Relay output
<b>Relay Type</b>	1 form A(SPDT)
<b>Contact Material</b>	AgSnO2,AgNi
<b>Contact Rating</b>	5A 250 VAC/30VDC
<b>Isolation voltage</b>	1500 VDC
<b>Mechanical Life Expectancy</b>	$2 \times 10^7$ operations
<b>Electrical Life Expectancy</b>	$5 \times 10^4$ operations



AT-24033

## Specifications

### General

<b>Power Consumption</b>	IDLE: 1.2 W@24V, FULL LOAD: 7.9 W@24V
<b>Supported Protocols</b>	MODBUS TCP
<b>Operating Voltage</b>	9 – 36 VDC
<b>Watchdog Timer</b>	System (2 second) & Communication
<b>Configuration Tool</b>	Web server & Ethernet Utility

### Digital Outputs

<b>Channels</b>	8 Relay output
<b>Relay Type</b>	1 form A(SPDT)
<b>Contact Material</b>	AgSnO2,AgNi
<b>Contact Rating</b>	5A 250 VAC/30VDC
<b>Isolation voltage</b>	1500 VDC
<b>Mechanical Life Expectancy</b>	$2 \times 10^7$ operations
<b>Electrical Life Expectancy</b>	$5 \times 10^4$ operations



AT-23005

## Specifications

### General

<b>Power Consumption</b>	IDLE: 1.2 W@24V, FULL LOAD: 7.9 W@24V
<b>Supported Protocols</b>	MODBUS TCP
<b>Operating Voltage</b>	9 – 36 VDC
<b>Watchdog Timer</b>	System (2 second) & Communication
<b>Configuration Tool</b>	Web server & Ethernet Utility

### Digital Inputs

<b>Channels</b>	16
<b>Isolation voltage</b>	5000Vrms
<b>Logic Level 1</b>	Min. 6v
<b>Logic Level 0</b>	Max. 5v
<b>Type of Inputs</b>	Sinking
<b>Grouping</b>	16 + Common separate for each DI
<b>Max Input current</b>	10 mA per input

## Common Specifications

### General

- **Indicator** Power ON, I/O Status, Communication LED's
- **Reset Function** Yes
- **Mounting** Din Rail
- **Material** Mild steel (MS) with powder coating

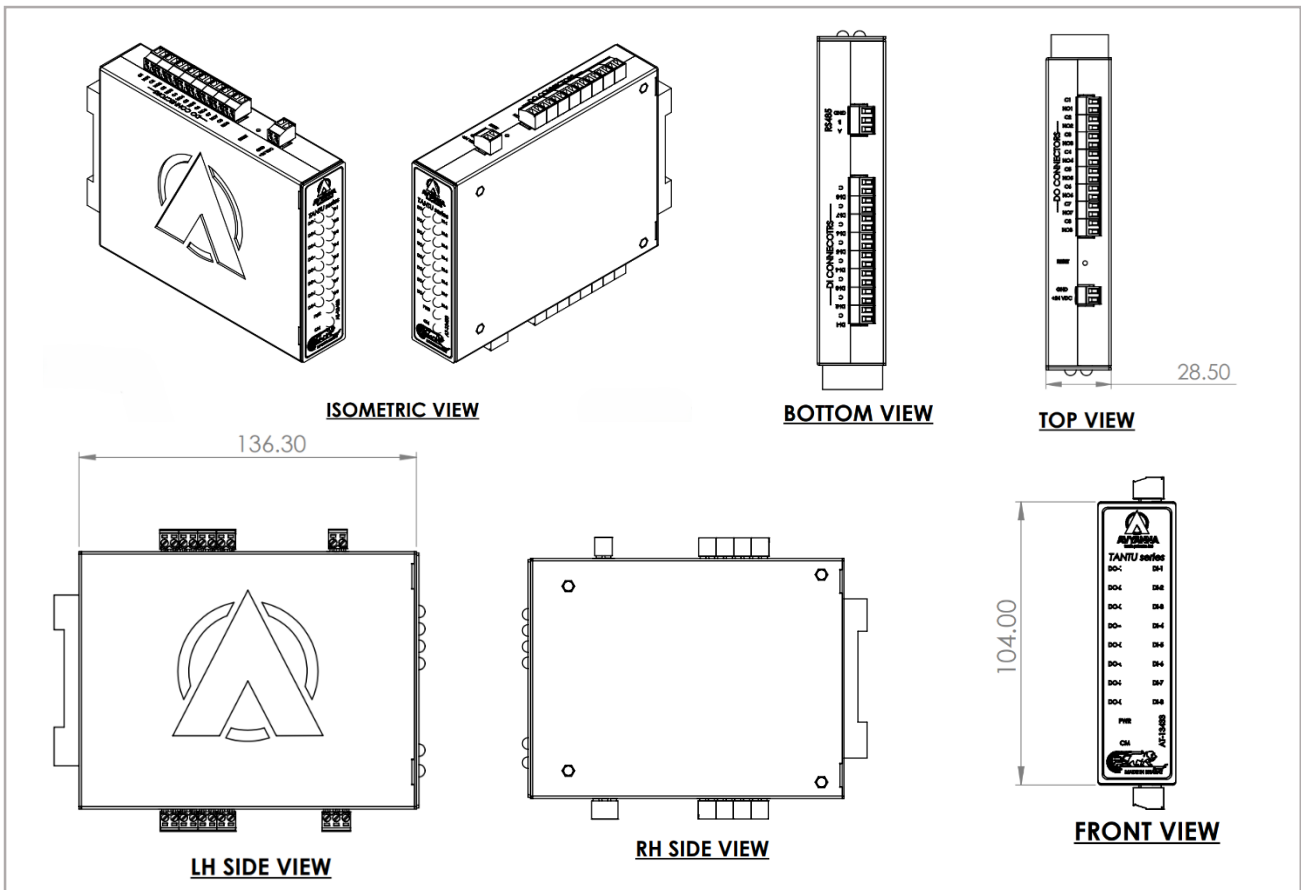
### Environment

- **Operating Temperature** 0°C - 60°C
- **Storage Temperature** 0°C - 70°C
- **Operating Humidity** 20-95% RH
- **Certifications** ROHS

### Ethernet Interface

- **Network Protocols** MODBUS TCP, TCP/IP, HTTP, DHCP, DNS, UDP, ARP
- **Number of Ports** 1
- **Interface** RJ-45 Female
- **Full Duplex Mode** Support IEEE 802.3x flow control
- **Half Duplex Mode** Support CSMA/CD Protocol
- **Ethernet Port Specification** RJ-45, 10/100 Mbit/s

## Dimensions & Drawing



## Order Information

Part No.	Description
AT-23433	8 Digital Input - 8 Digital Relay Output Module with Modbus TCP
AT-24033	8 Digital Relay Output Module with Modbus TCP
AT-23005	16 Digital Input Module with Modbus TCP