

# AT-08-2151

## 21.5" Industrial Full HD LED Display

### Automobiles



### Pharma

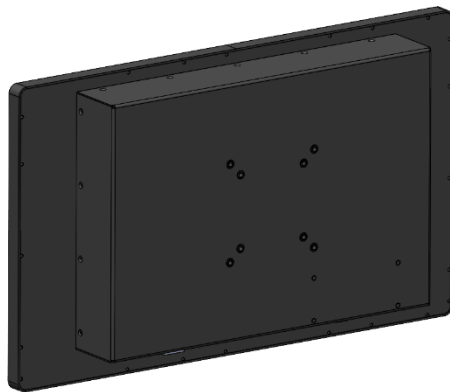


### Oil & Gas



### Features

- The unit features a 21.5" Full HD LED display with a 1920 × 1080 resolution and 1000:1 contrast ratio.
- The display supports capacitive multi-touch input and provides a brightness of 300 cd/m<sup>2</sup>, ensuring usability under varied industrial lighting conditions. The system operates within a temperature range of 0°C to 50°C.
- Mechanical design dimensions are 310(H) × 518(W) × 80(D) mm, with an approximate weight of 10 kg and VESA mounting support. Power requirements include 230V AC input with a maximum consumption of 200W.



REFERENCE IMAGE



# Specifications

## Display

Display Type	LED
Display Size	21.5 inches
Contrast Ratio	1000: 1 (Typ)
Max. Resolution	1920 x 1080
Max. Color	16.7M colors
Active Area	476.064(H) × 267.786(V)
Pixel Pitch	0.24795(H) × 0.24795(V)
Pixel Arrangement	R.G.B. Vertical Stripe
Display Mode	Normally Black
Viewing Angle	85/85/85/85 (Typ.) (CR≥10)
Luminance	300 cd/m <sup>2</sup>

## Touchscreen

Touchscreen Type	Capacitive Touch
------------------	------------------

## I/O Interface

External I/O	- 2x USB 2.0 - 1XHDMI
--------------	--------------------------

## Power

Power Input	230VAC
Max. Current	1.5 A (Typ.)
Max. Power	200 W (Typ.)

## Mechanical

Dimensions	310(H) X 518(W) X 80(D) Approx.
Weight	10 Kgs Approx.
Mounting	VESA Mount
External Finish	Black

## Environment

Operating Temp.	0° C to 50° C
Storage Temp.	-10° C to 60° C
Humidity	5% to 95% Humidity, non-condensing @40° C
Ingress Protection	IP65 – FRONT PANEL REST IP40 rated - Complied

## Certifications

Certification	CE, FCC- Complied
---------------	-------------------

## Packing List

AT-08-2151	x1
AC Power cable-1m	x1
Mounting Screws	x4
User Manual	x1

## Order Information

Part No.	Brightness	Touch screen
AT-08-2151	300 cd/m <sup>2</sup>	Capacitive

## Dimensions & Drawing

Unit: mm

